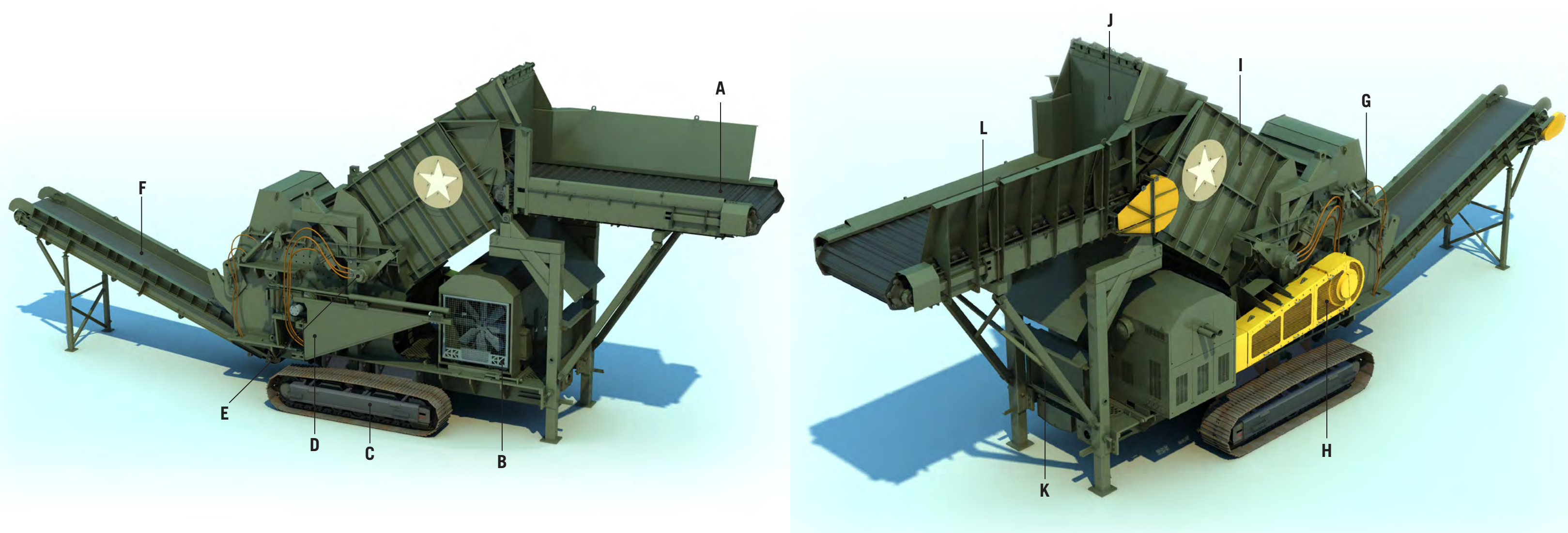


3★TEK



**REDEFINING
MOBILE SHREDDING**



BRAVO | YOUR PATH TO INDEPENDENCE

3TEK now offers a totally new shredding option for small yards wanting to move up to shredding. With full Owning & Operating costs less than \$35/ton and with an output of up to 3,000 tons a month, 3TEK's Bravo will raise your capability and your profits, putting you in command.

Driven by a 1125-horsepower CAT32 Tier 4 Certified diesel engine, the Bravo can comfortably produce 15-20 output tons per hour. This mobile massive 311,000-pound single chassis sports 240-pound hammers and comes standard with an integrated 19' infeed conveyor and compact pin puller assembly.

LETTER	DESCRIPTION
A	Infeed Conveyor: 19' (5.9m) L X 6' (1.8m) W w/interlaced steel belt
B	CAT C 32 Tier 4 Certified 1125 HP Diesel; 265 g (1,205 L) Fuel tank; integrated clutch, reversible fan
C	Track Undercarriage: size 345 class
D	Pin Puller with integrated hydraulic cylinder
E	Single Feed Roll: 0-15 RPM; 42" (1,067 mm) diameter, 1" (2.54 mm) thick rolled steel
F	Takeaway Conveyor: 48" (1,200 mm) W X 24' (7.3 m) L belt
G	Reject Door: 24" (610 mm) tall for unshreddable discharge
H	Speed Reducer: Heavy duty pulleys with V Belts reduce engine 1750 RPM to Rotor speed of 750 RPM
I	Feed Ramp: 9'7" (2.9 m) L. Replaceable AR wear plates under feed roll. Metal Cover (removable).
J	Rubber curtain: Heavy duty to knock down projectiles
K	Controls: Fully functional, automated adaptive feed control maximizes production. Remote pendant locates in loading operator cab.
L	High sidewall (interchangeable) to ease loading

3TEK BRAVO SPECIFICATIONS AND OPERATING DATA

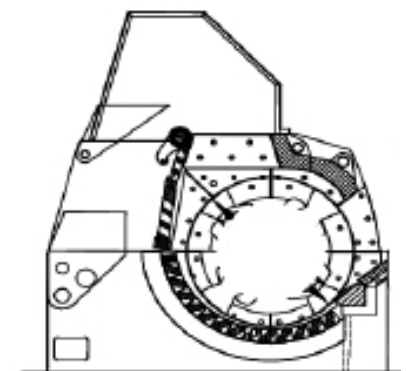
WEIGHT	311,000 lbs. (141,067 kg)
LENGTH	50'0" (15.2 m) overall
WIDTH	14'0" (4.3 m)
HEIGHT	24'0" (7.3 m)
LOADING HEIGHT	20'0" (6 m) to infeed conveyor belt
C32 FUEL CONSUMPTION	30 gal/hr. (114 L/hr.)
DEF FLUID CONSUMPTION	0.6 gal/hr. (2.28 L/hr.)

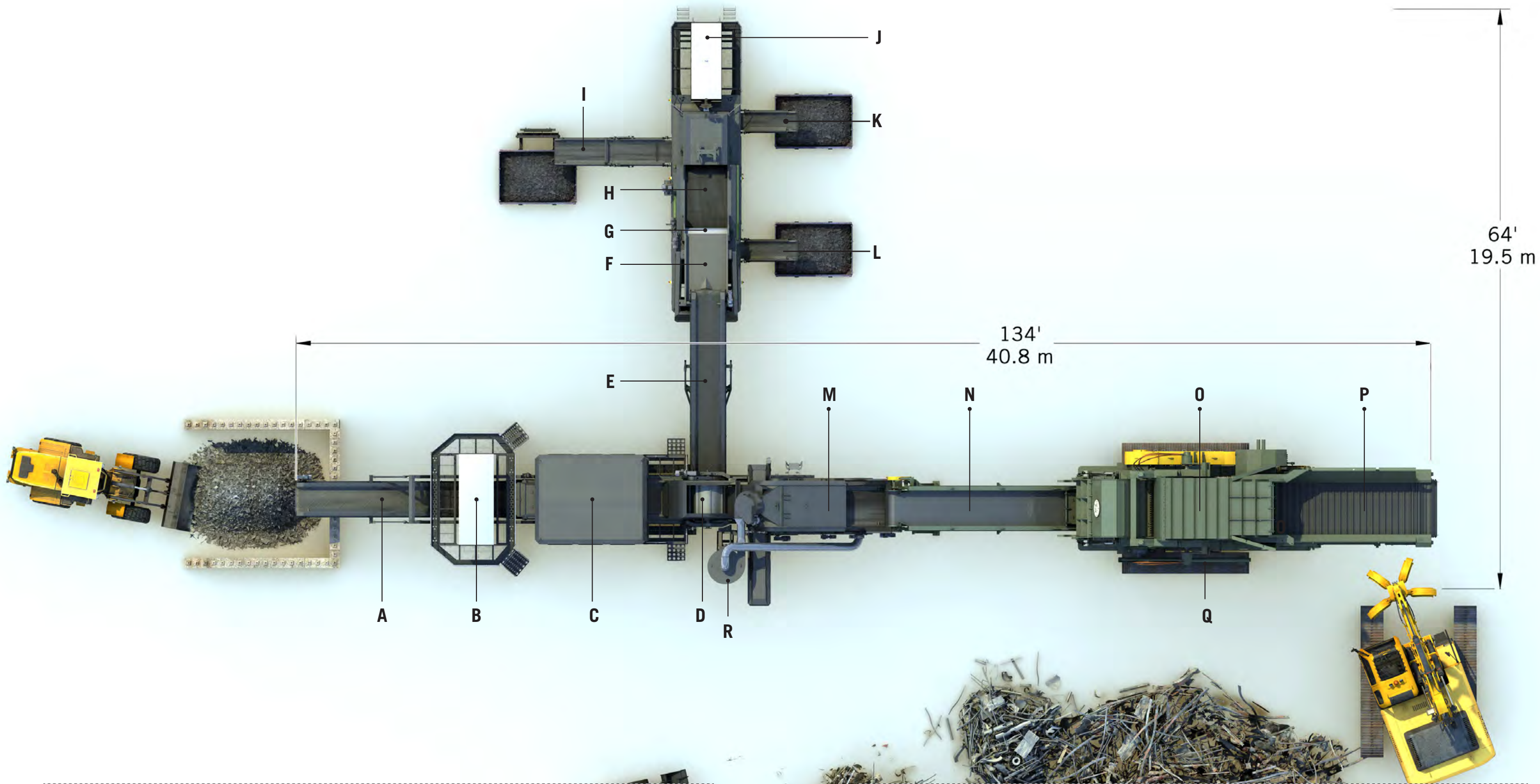
3TEK BRAVO MOBILE DIESEL HAMMER MILL

OUTPUT	15-20 tons/hour output (13.7 m tons/hour) capable
DENSITY	65-70 lbs./cubic ft. capable
OWNING & OPERATING COST	\$35 USD / ton
3TEK BRAVO WARRANTY	12 months or 2,000 hours
CAT EXTENDED WARRANTY	5 years/6,000 hours included

SHREDDER DETAILS

DISK ROTOR DESIGN:	4 pins and 9 disks
WIDTH SIDEWALL TO SIDEWALL:	80" (2,032 mm)
SHREDDER WALL THICKNESS:	1.5" (38.1 mm)
WEAR LINER THICKNESS:	3" (76.2 mm)
ROTOR SPEED:	750 RPM
HAMMER SWING DIAMETER:	62" (1,575 mm) tip to tip
ROTOR BEARINGS:	10" (254 mm)
ROTOR BEARING LUBRICATION:	Grease with RTD on each
HAMMER WEIGHT:	240 lbs. (109 kg), 8 standard, Manganese



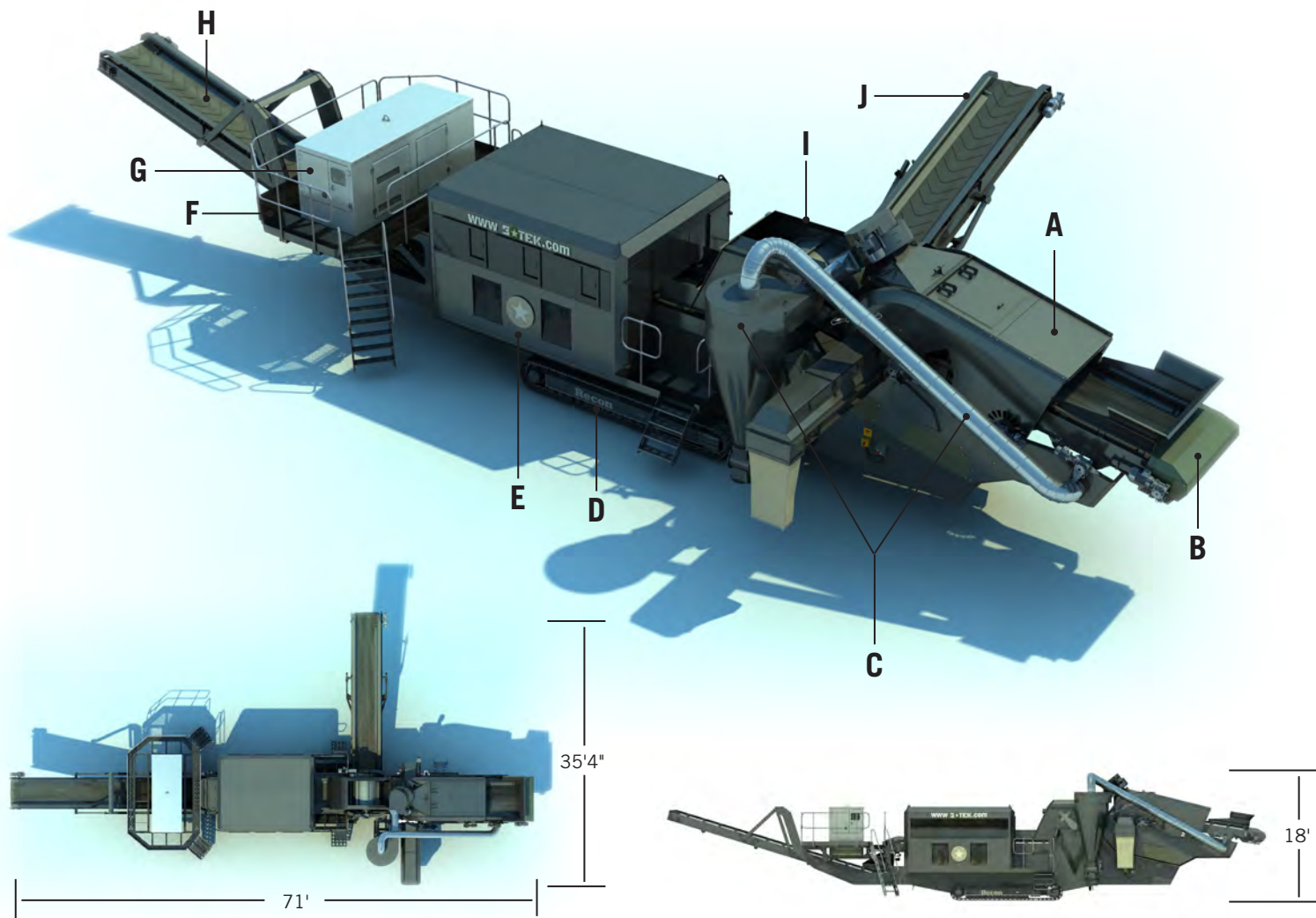


LETTER DESCRIPTION

A	Ferrous Stockpile Conveyor
B	CAT XQ125: CAT 125kw Genset powers entire Recon module. We oversized this to provide local power for lighting, supplement conveyor, etc. 64 dBa quiet operation
C	4 Person Picking Station: Complete with lighting, tinted window, etc. HVAC options available
D	Drum Magnet: Permanent 48" Diameter by 48" long (1200mm X 1200 mm) to separate Ferrous metals from Non-Ferrous
E	Non-ferrous/Waste Takeaway Conveyor
F	Pan Feeder
G	Drum Magnet to catch tramp Ferrous metals
H	Eddy Current Separator: 60' (1,500 mm)
I	Three position, including picking configuration

LETTER DESCRIPTION

J	CAT XQ60: CAT 60 kw Genset powers entire ECS 60 module. Xtra Quiet 64 dBA operation complete with integrated lighting package
K	Zorba Takeaway Conveyor
L	Tramp Ferrous Takeaway Conveyor
M	Recon Feeding Hopper
N	Bravo Takeaway Conveyor: 48" (1,500 mm) wide
O	Bravo 6280 Hammermill Shredder: 1125 HP CAT Diesel Drive
P	Integral Infeed Conveyor: 19' (5.8 m): steel belted rugged design
Q	Pin Puller Device integrated for Hammer and Pin Protector changes
R	Cyclone and Air Knife: Light fluff removal to clean incoming densified scrap from shredder



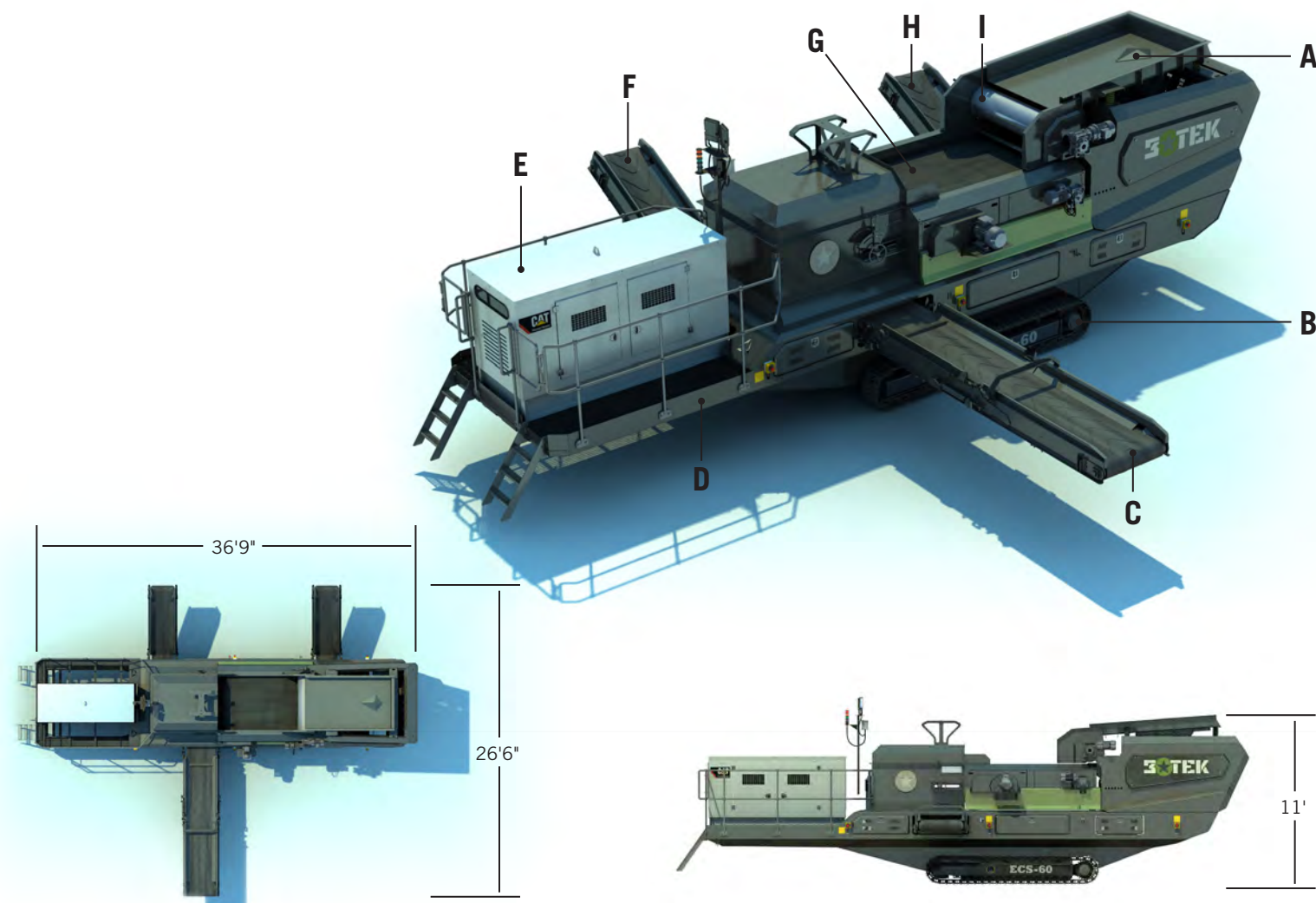
RECON | MOBILE FERROUS SEPARATION SYSTEM

The Recon combines multiple separation technologies that together provide high capture rates and excellent cleanliness of ferrous scrap. Shredded, liberated scrap enters the machine and is first met with an air knife and cyclone removing light fluff. It then passes under a permanent magnet drum which separates the ferrous metals from the “all other” (non-ferrous + waste fraction). Ferrous scrap enters the 4-man picking station for further cleaning and then out on to the ferrous stacking conveyor. The “all other” fraction is taken away to the Eddy Current Separator (ECS60) for further processing.

MACHINE WEIGHTS AND DIMENSIONS

WEIGHT	55,115 lbs. (25,000 kg)
OPERATING WIDTH (MAX)	35.33 feet (10.8 m)
OPERATING LENGTH (MAX)	71 feet (21.64 m)
OPERATING HEIGHT (MAX)	15 feet (4.57 m)

LETTER	DESCRIPTION
A	Air knife: 60" (1,500 mm), Rotary Drum Separator on VSD
B	Accelerator Belt: 60" (1,500 mm) wide X 138" (3,505 mm) Long
C	Centrifugal Cyclone Separator: Double Vortex Air Flow with Rotary Discharge Valve
D	Track Chassis
E	Picking Station: 4-Bay, 48" (1,200 mm) Picking Belt width X 19'9" (6 m) long. Tinted windows that open, lighted, with doors for egress
F	Service platform with railing
G	CAT XQ125 KVA Genset: Extra quiet 64 dBA, 24 hour run time, powers entire machine
H	Ferrous Stacking Conveyor: Single Fold 26' 3" (8.0 m) Long X 42" (1,067 mm) wide
I	Permanent Magnetic Drum: Variable speed, Bottom feed, Axial Pole, 48" (1,200 mm) diameter X 48" (1,200 mm) long
J	All Other Takeaway Conveyor (NonFe + Fluff): 26' 3" (8.0 m) long X 42" (1,067 mm) wide



ECS 60 | MOBILE EDDY CURRENT SEPARATOR

The ECS60 is a mobile metal separation unit and the ideal partner to the Recon. Features include a magnetic drum for tramp ferrous recovery, a 60" Eddy Current separator for non-ferrous recovery, track mounted chassis for mobility, three stockpile configurable conveyors to takeaway processed materials, and all powered with a CAT Extra Quiet XQ60 KVA Genset.

MACHINE WEIGHTS AND DIMENSIONS

WEIGHT	35,300 lbs. (16,000 kg) (approx.)
OPERATING WIDTH (MAX)	26.7 feet (8.123 m)
OPERATING LENGTH (MAX)	36.75 feet (11.194 m)
OPERATING HEIGHT (MAX)	11 feet (3.338 m)

LETTER	DESCRIPTION
A	Vibrating Pan Feeder: 98" (2500 mm) long X 55" (1400 mm) wide
B	Track Chassis
C	Stacking Conveyor #1: Waste Takeaway Conveyor 13.1 feet (4000mm) long X 32" (800 mm) wide. Double fold, three position conveyor that takes away fluff. Lay horizontal to pick Stainless steel
D	Service platform with railing
E	CAT XQ60 KVA Genset: Extra quiet 64 dBA, 24 hour run time, powers entire machine
F	Stacking conveyor #2: Zorba takeaway conveyor 6.6 ft. Single Fold (2000 mm) Long X 24" (600 mm) wide
G	Eriez Rev X-E ST 22-60 Eddy Current Separator. 9.9 ft. (3000 mm) Long X 4.9 ft. (1500 mm) Wide
H	Stacking Conveyor #3: Tramp Ferrous takeaway conveyor. Single Fold 6.6 ft. (2000 mm) Long X 24" (600 mm) wide
I	Magnetic Drum for tramp ferrous capture: 16" (400 mm) diameter X 79" (2000 mm) long

FULLY STOCKED WEAR AND SPARE PARTS WAREHOUSE IN THE U.S.A.

3TEK products are manufactured in the USA with factories in Dallas, TX, and Columbia, SC. The Columbia, SC, based North American parts warehouse is fully stocked with wear and spare parts. The company has dedicated service technicians and prides itself on responsive service capabilities.



803-920-0689

3TEK.com